



**3V90 3V70**

**ARTICULATED MULTI-VIEW SWIVEL DUMPER**





**MULTIVIEW**

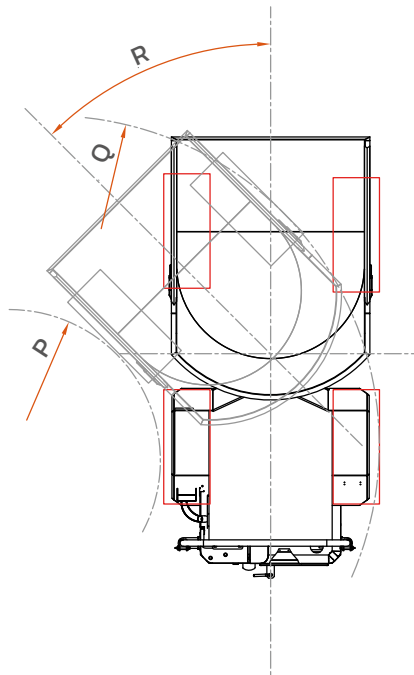
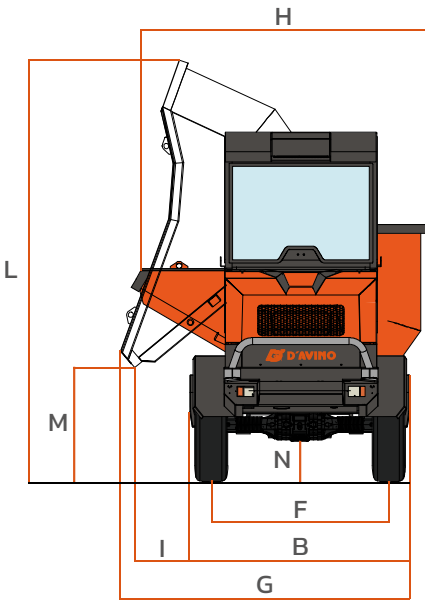
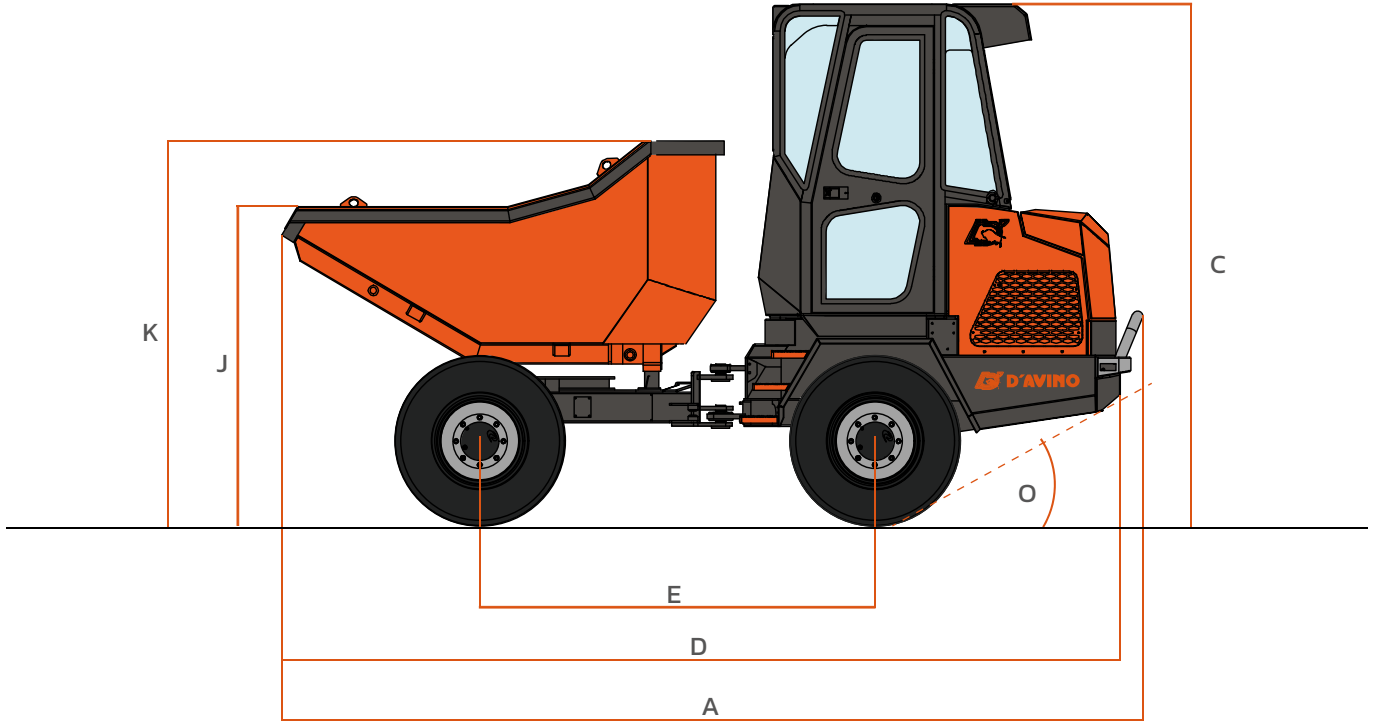




## Technical data

<b>GENERAL DATA</b>		<b>3V90</b>	<b>3V70</b>
Max load capacity	kg	9.000	7.000
Dump body water level capacity	l	1.550	2.100
Dump body struck capacity	l	3.800	2.800
Dump body heaped capacity	l	4.700	3.400
Unloading system		Swivel	Swivel
Drivers'seat		Rotating - 3 positions	Rotating - 3 positions
Frame		Articulated	Articulated
Empty weight	kg	5.400	4.200
Transmission		Hydrostatic	Hydrostatic
Cabin		Rops-Fops	Rops-Fops
<b>*ENGINE</b>			
Brand		Perkins	Perkins
Model		404J-E22TA	404J-E22TA
Power	kW	55	55
<b>DRIVING</b>			
Max speed	km/h	26	30
Gradeability	%	35	35
Turning radius	mm		5580
Traction		Articulated	Articulated
Tyres		18-22,5 PR 16 R1	12.5/80-18 16 PR
Axle oscillation lock		N/A	N/A
<b>HYDRAULIC SYSTEM</b>			
Hydraulic system		Duble gear pump	Duble gear pump
Working pressure	bar	220	220
<b>ELECTRICAL SYSTEM</b>			
Starter motor	V/kW	12/2	12/2
Battery	V/Ah	12/50	12/50
<b>TANK CAPACITY</b>			
Fuel	l	100	60
Hydraulic	l	100	38
<b>BRAKES</b>			
Service		Hydraulic acting on both axles	
Parking		Hydraulic acting on the rear axles	
<b>APPROVALS</b>			
Road approval (Italian)		In progress	Yes

\*Stage IIIA engine available



	<b>3V90</b>	<b>3V70</b>
<b>A</b>	5730	4990
<b>B</b>		1900
<b>C</b>	3160	3030
<b>D</b>		4860
<b>E</b>	2078	2290
<b>F</b>	1950	1530
<b>G</b>	3020	2520
<b>H</b>	2890	3140
<b>I</b>		510
<b>J</b>	2245	1820
<b>K</b>	2245	2235
<b>L</b>	3880	3555
<b>M</b>		1000
<b>N</b>	430	350
<b>O</b>	25°	29°
<b>P</b>		3625
<b>Q</b>		5580
<b>R</b>		28°



AMOG srl | I-80031 Brusciano (NA) | Tel. +39 081 658 8361 | [sales@davinogroup.biz](mailto:sales@davinogroup.biz)

[davinodumper.com](http://davinodumper.com)